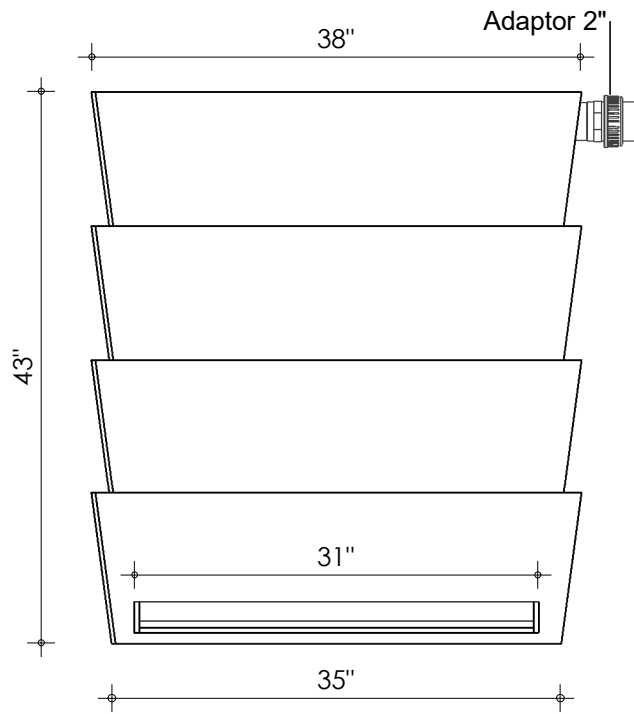
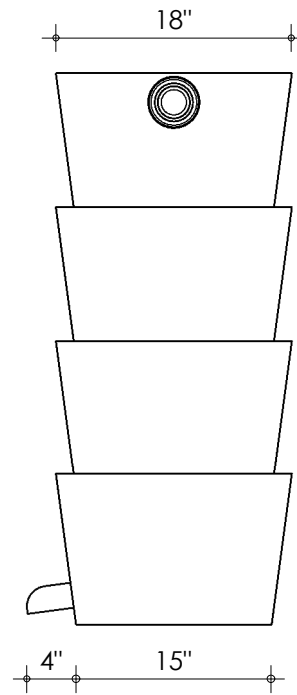


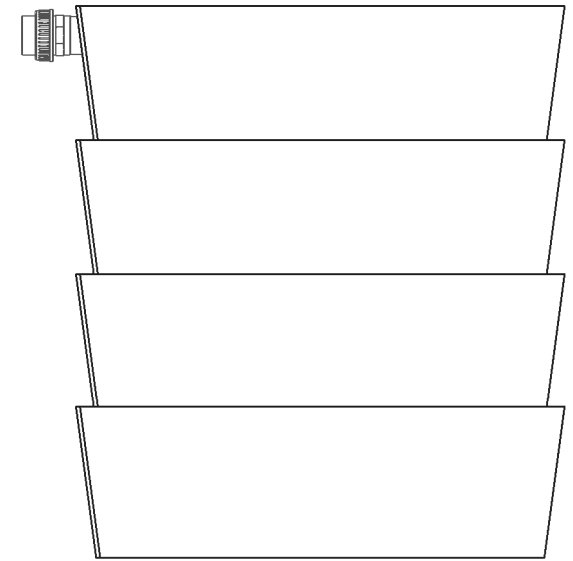
Left-side view



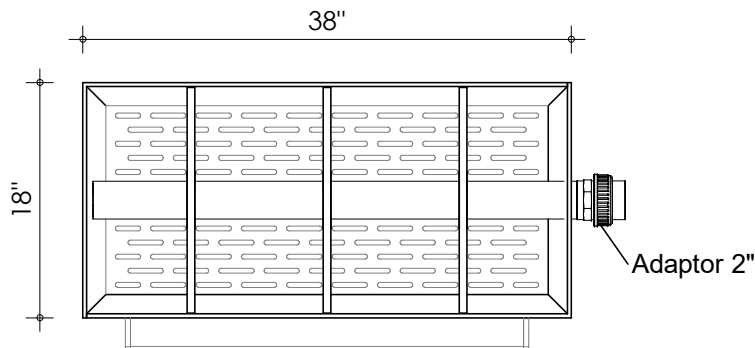
Front view



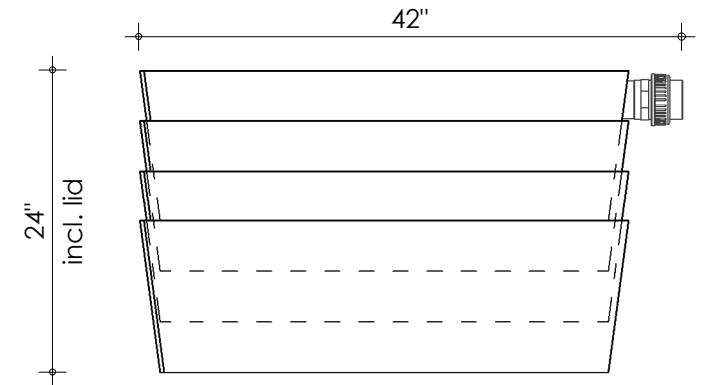
Right-side view



Rear view



Top view



Transport

description:
TF-Regular - Trickle filter waterfall

scale :
1 : 15

date :
31-01-2020

water running height :